

3/4" Non-Metallic Models

COMPACT SERIES PUMPS

Part of our Compact Series of pumps, our 3/4" pumps feature big performance in a small package. With flow rates up to 14.8 GPM (56 LPM) and a wide range of material and porting configurations.

Ratio:	1:1
Maximum Flow:	14.8 g.p.m. (56 l.p.m.)
Displacement per cycle:	0.032 Gallons (0.12 Liters)
Air Inlet: (Female)	1/4 - 18 P.T.F. SAE Short
Fluid Inlet/Outlet:	1/2 - 14 N.P.T.F. - 1 Rp 1/2 (1/2 -14 BSP, parallel)
Max. operating pressure:	100 psi (6.9 bar)
Suspended solids max. dia.:	3/32" (2.4 mm)
Weight: lbs (kg)	5.61 (2.54)
Maximum dry suction lift:	ft (m) 15.0 (4.5)
Sound Level:	70 PSI 60 Cycles/Min 75.0 db(A)



PD07P-BPS-PAA

Ordering

Position	1	2		3	4	5		6	7	8		9		10	11
Example:	PD07	P	-	X	X	S	-	X	X	X	-	B	-	X	X

Position 1 Model Series	Position 2 Center Section	Position 3 Connections	Position 4 Manifold Material	Position 5 Hardware	Position 6 Seat Material	Position 7 Ball Material	Position 8 Diaphragm Material	Position 9
PD07 - Standard Pump PE07 - Remote Actuation Capable	P - Polypropylene	A - 14 - 3/4" N.P.T.F.-1 B - Rp 3/4 (3/41/2 -14 BSP, parallel)	P - Polypropylene (Single Port)	S - SS	P - Polypropylene	A - Santoprene C - Hytrel T - PTFE	A - Santoprene C - Hytrel T - PTFE	Revision Level Position 10 & 11 Specialty Code Fluid control options for pump with electronic interface (PE07 model). See complete description on page 17

Accessories

Air Line Connection Kit | 66073-1

(Piggyback Filter/Regulator with gauge, pipe nipple and 5-foot air hose)

Cycle Counter Kit | 66975

Muffler Kit | 637438 (ported exhaust) 3/8" NPT

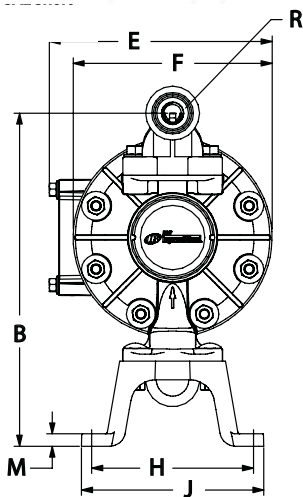
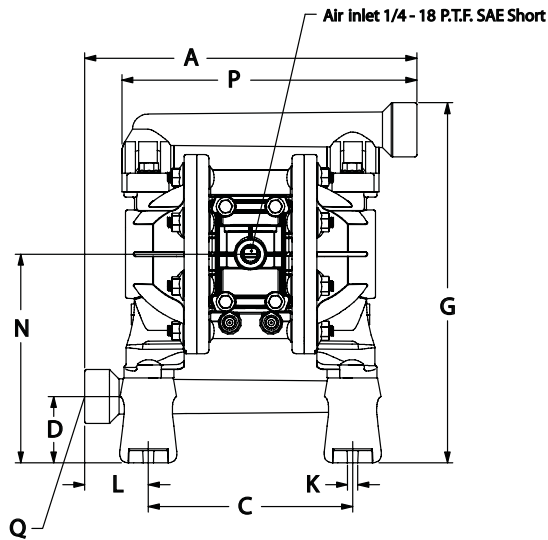
Service Repair Kits | 637428 (air section)
637427-XX (fluid section)

Wall Mount | 76763



Air Line Connection Kit
66073-1

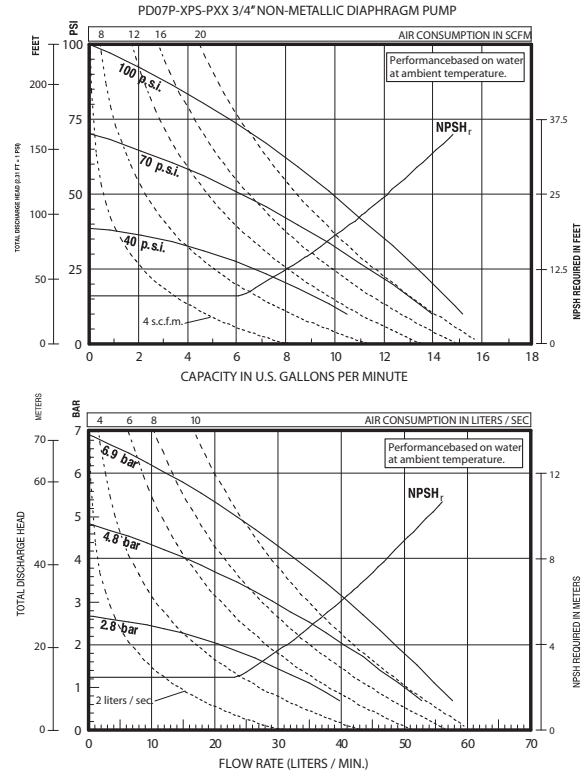
3/4" Non-Metallic Dimensions and Flow Charts



DIMENSIONS

A - 10" (254.2 mm)	F - 6-1/32" (153.1mm)	L - 1-15/16" (48.9mm)
B - 10-3/32" (256.1mm)	G - 10-29/32" (276.8mm)	M - 3/8" (9.6mm)
C - 6-3/16" (157.1mm)	H - 4-29/32" (124.2mm)	N - 6-5/16" (160.5mm)
D - 2" (51.0mm)	J - 5-17/32" (140.2mm)	P - 8-7/8" (225.3mm)
E - 6-3/4" (171.0mm)	K - 5/16" (8.0mm)	

Model	"Q" Material Inlet	"R" Material Outlet
PD07P-APS-PXX	3/4- 14N.P.T.F. - 1	3/4- 14N.P.T.F. - 1
PD07P-BPS-PXX	Rp 3/4(3/4- 14BSP)	Rp 3/4(3/4- 14BSP)



Refer to www.AROzone.com for full size flow curves.
For additional information contact
technical support at 1.800.495.0276

Ordering Position 10 Specialty Code 1 (Blank if no Specialty Code)

A - Solenoid 120VAC	G - Solenoid 12VDC ATEX/IECex
B - Solenoid 12VDC	H - Solenoid 24VDC ATEX/IECex
C - Solenoid 240VAC	J - 120VAC NEC/CEC
D - Solenoid 24VDC	K - Solenoid 220VAC ATEX/IECex
E - 12vDC NEC/CEC	N - Solenoid with no coil
F - 24vDC NEC/CEC	O - Standard Valve Block (No Solenoid)

Ordering Position 11 Specialty Code 2 (Blank if no Specialty Code)

E - End of stroke feedback + Leak Detection	L - Leak Detection
F - End of stroke feedback	M - Leak Detection ATEX/IECex/NEC/CEC
G - End of Stroke ATEX/IECex/NEC/CEC	O - No Option
H - End of Stroke/Leak Detection ATEX/IECex/NEC/CEC	