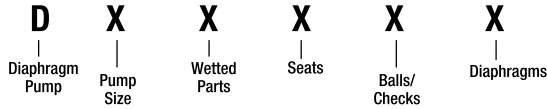


Husky 2150 Plastic Pumps

Air-Operated Double Diaphragm

Ordering Information



PUMP SIZE (AIR MOTOR TYPE AND MATERIAL)	WETTED PARTS	SEATS	BALLS	DIAPHRAGM
F = 2" (50.8 mm) Standard: aluminum center section	2 = Poly (npt)	3 = Stainless Steel	1 = PTFE	1 = PTFE
G = 2" (50.8 mm) Remote: aluminum center section	5 = PVDF (npt)	4 = Hardened SST	2 = Acetal	5 = TPE
V = 2" (50.8 mm) Standard: stainless steel center section		5 = TPE	4 = Hardened SST	6 = Santoprene
		6 = Santoprene	5 = TPE	7 = Buna N
		7 = Buna N	6 = Santoprene	8 = Fluoroelastomer
		8 = Fluoroelastomer	7 = Buna N	G = Geolast
		9 = Polypropylene	8 = Fluoroelastomer	
		A = PVDF	G = Geolast	
		G = Geolast		

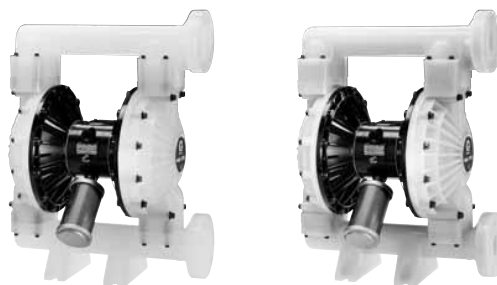
Popular Models

Material	Part Number (ANSI-Flange)		Part Number (BSP Ported)		Materials for Seats	Materials for Balls	Materials for Diaphragms	Fluid Kit	Air Kit	Air Control**
	Standard Air Valve	Remote* Air Valve	Standard Air Valve	Remote* Air Valve						
Standard Pumps with Aluminum Center Section										
Polypropylene	DF2311				Stainless Steel	PTFE	PTFE	DOG311	236273	246947
	DF2377	DG2377			Stainless Steel	Buna	Buna	DOG377	236273	246947
	DF2777	DG2777			Buna	Buna	Buna	DOG777	236273	246947
	DF2888	DG2888			Fluoroelastomer	Fluoroelastomer	Fluoroelastomer	DOG888	236273	246947
	DF2911	DG2911			Polypropylene	PTFE	PTFE	DOG911	236273	246947
	DF2955				Polypropylene	TPE	TPE	DOG955	236273	246947
	DF2966				Polypropylene	Santoprene	Santoprene	DOG966	236273	246947
	DF2977				Polypropylene	Buna	Buna	DOG977	236273	246947
	DF2988				Polypropylene	Fluoroelastomer	Fluoroelastomer	DOG988	236273	246947
	DF29GG	DG29GG			Polypropylene	Geolast	Geolast	DOG9GG	236273	246947
PVDF	DF5311				Stainless Steel	PTFE	PTFE	DOG311	236273	246947
	DF5666				Santoprene	Santoprene	Santoprene	DOG666	236273	246947
	DF5811	DG5811			Fluoroelastomer	PTFE	PTFE	DOG811	236273	246947
	DF5888	DG5888			Fluoroelastomer	Fluoroelastomer	Fluoroelastomer	DOG888	236273	246947
	DF5A11	DG5A11			PVDF	PTFE	PTFE	DOGA11	236273	246947
	DF5A88				PVDF	Fluoroelastomer	Fluoroelastomer	DOGA88	236273	246947
Corrosion Resistant Pumps with Stainless Steel Center Section										
Polypropylene	DV2311				Stainless Steel	PTFE	PTFE	DOG311	236273	246947
	DV2341				Stainless Steel	Hardened SST	PTFE	DOG341	236273	246947
	DV2377				Stainless Steel	Buna	Buna	DOG377	236273	246947
	DV2888				Fluoroelastomer	Fluoroelastomer	Fluoroelastomer	DOG888	236273	246947
	DV2911				Polypropylene	PTFE	PTFE	DOG911	236273	246947
	DV2977				Polypropylene	Buna	Buna	DOG977	236273	246947
	DV2988				Polypropylene	Fluoroelastomer	Fluoroelastomer	DOG988	236273	246947
	DV2A11				PVDF	PTFE	PTFE	DOGA11	236273	246947
	DV2A88				PVDF	Fluoroelastomer	Fluoroelastomer	DOGA88	236273	246947
PVDF	DV5311				Stainless Steel	PTFE	PTFE	DOG311	236273	246947
	DV5811				Fluoroelastomer	PTFE	PTFE	DOG811	236273	246947
	DV5888				Fluoroelastomer	Fluoroelastomer	Fluoroelastomer	DOG888	236273	246947
	DV5A11				PVDF	PTFE	PTFE	DOGA11	236273	246947
	DV5A88				PVDF	Fluoroelastomer	Fluoroelastomer	DOGA88	236273	246947

*Requires CycleFlo or external valve control

** Air control includes air regulator and filter with gauge

Husky 2150 Plastic Pumps



Technical Specifications

Husky 2150 Plastic Pumps	Polypropylene	PVDF
Maximum fluid working pressure	120 psi (8.4 bar, 0.84 MPa)	120 psi (8.4 bar, 0.84 MPa)
Maximum free flow delivery*	150 gpm (568 lpm)	150 gpm (568 lpm)
Maximum pump speed	145 cpm	145 cpm
Displacement per cycle**	1.03 gallon (3.90 liter)	1.03 gallon (3.90 liter)
Maximum suction lift	18 ft (5.48 m) wet or dry	18 ft (5.48 m) wet or dry
Maximum size pumpable solids	0.25 in (6.3 mm)	0.25 in (6.3 mm)
Maximum operating temperature***	150°F (65.5°C)	150°F (65.5°C)
Maximum diaphragm operating temperature***		
PTFE	220°F (104.4°C)	220°F (104.4°C)
Santoprene	180°F (82.2°C)	180°F (82.2°C)
Buna-N	180°F (82.2°C)	180°F (82.2°C)
TPE	150°F (65.5°C)	150°F (65.5°C)
Fluoroelastomer	250°F (121.1°C)	250°F (121.1°C)
Geolast	150°F (65.5°C)	150°F (65.5°C)
Typical sound level at 70 psi (4.9 bar, 0.49 MPa) air @ 125 cpm	78 dBa	78 dBa
Maximum air consumption	175 scfm (4.9 m3/min)	175 scfm (4.9 m3/min)
Air consumption at 70 psi/60 gpm	60 scfm (1.7 m3/min)	60 scfm (1.7 m3/min)
Air pressure operating range	20 to 120 psi (1.4 to 8.4 bar, 0.14 to 0.84 MPa)	20 to 120 psi (1.4 to 8.4 bar, 0.14 to 0.84 MPa)
Air inlet size	1/2 npt(f)	1/2 npt(f)
Fluid inlet & outlet size****	2 in (51 mm) ANSI-flange	2 in (51 mm) ANSI-flange
Weight	49 lb (22 kg)	68 lb (30.8 kg)
Weight with stainless steel center section	68.5 lb (31 kg)	87.5 lb (39.6 kg)
Instruction manual	308550	308550

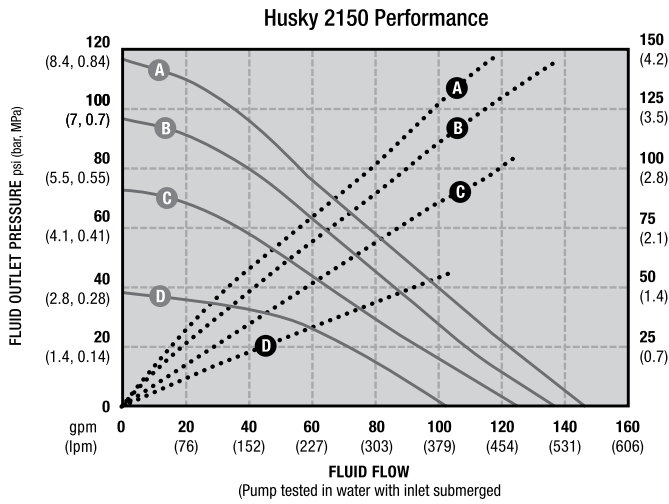
* Flow rates are with muffler and do not vary based on diaphragm material

** Displacement per cycle may vary based on suction condition, discharge head, air pressure and fluid type

*** Actual pump performance may be affected by prolonged usage at temperature

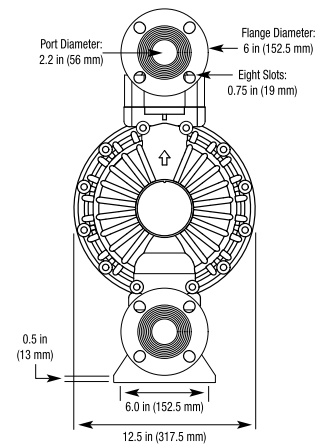
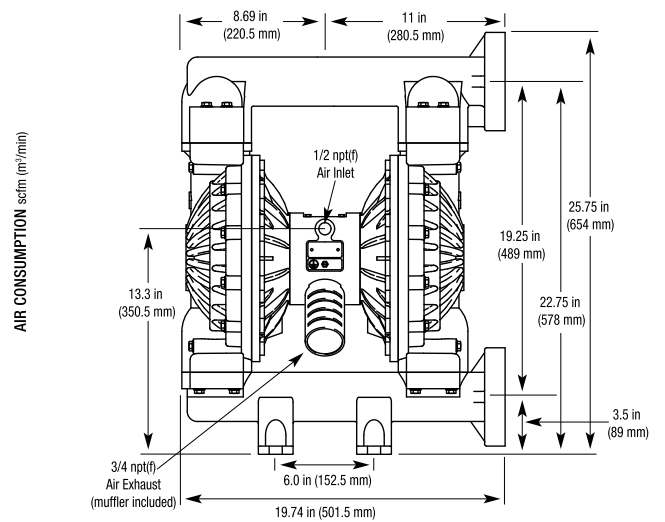
Husky 2150 Plastic Pumps

Performance Charts



AIR PRESSURE	LEGEND
(A) = at 120 psi (8.4 bar, 0.84 MPa)	Air Consumption •••••
(B) = at 100 psi (7 bar, 0.7 MPa)	Fluid Flow ———
(C) = at 70 psi (4.8 bar, 0.48 MPa)	
(D) = at 40 psi (2.8 bar, 0.28 MPa)	

Dimensions



Typical System Drawings

Husky 2150 Above Ground Gravity Feed

