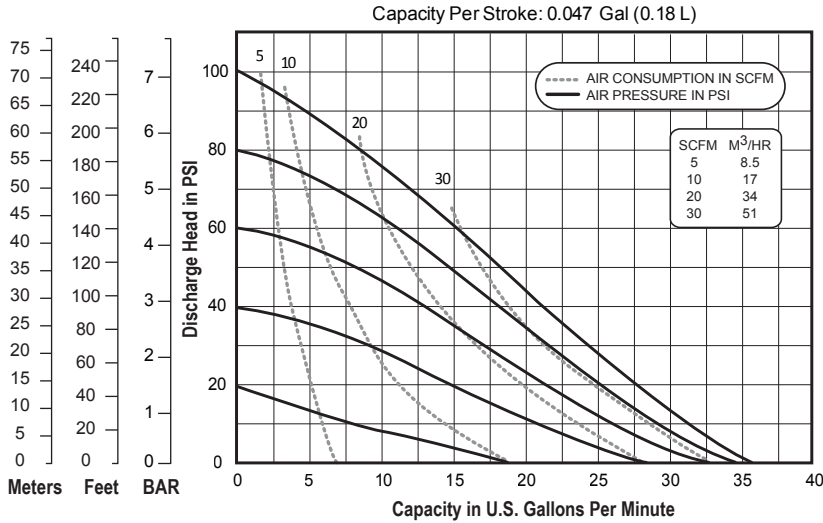


# E1 DATA SHEET

## SPECIFICATIONS & PERFORMANCE

### 1" Bolted Plastic with Plastic Center Section

#### PERFORMANCE



NOTE: Performance based on the following: elastomeric fitted pump, flooded suction, water at ambient conditions. The use of other materials and varying hydraulic conditions may result in deviations in excess of 5%.

#### SPECIFICATIONS

##### Flow Rate

Adjustable to 0-43 gpm (162.8 LPM)

##### Port Size

Suction 1" 150# ANSI/DIN 325 Flange

Discharge 1" 150# ANSI/DIN 325 Flange

**Air Inlet** . . . . . 3/8" NPT

**Air Exhaust** . . . . . 1/2" NPT

##### Suction Lift

Dry . . . . . 11' (3.4 m)

Wet . . . . . 31' (9.4 m)

##### Max Solid Size (Diameter)

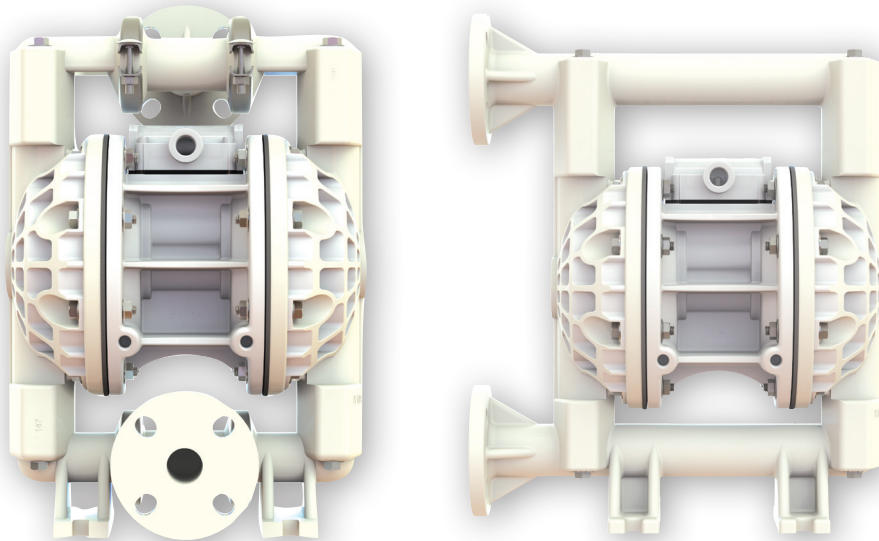
. . . . . 1/8" (3.1 mm)

**Max Noise Level** . . . . . 94 dB(A)

##### Shipping Weights

Polypropylene . . . . . 17 lbs (7.7 kg)

PVDF . . . . . 22 lbs (10 kg)



**VERSAMATIC®**

Warren Rupp, Inc. | A Unit of IDEX Corporation  
800 North Main Street | Mansfield, OH 44902 USA  
Phone: 419.526.7296 | Fax: 419.526.7289

[VERSAMATIC.COM](http://VERSAMATIC.COM)

e1nmdICds-rev0519

©Copyright 2019 Warren Rupp, Inc. All Rights Reserved.

# E1 DATA SHEET

## SPECIFICATIONS & PERFORMANCE

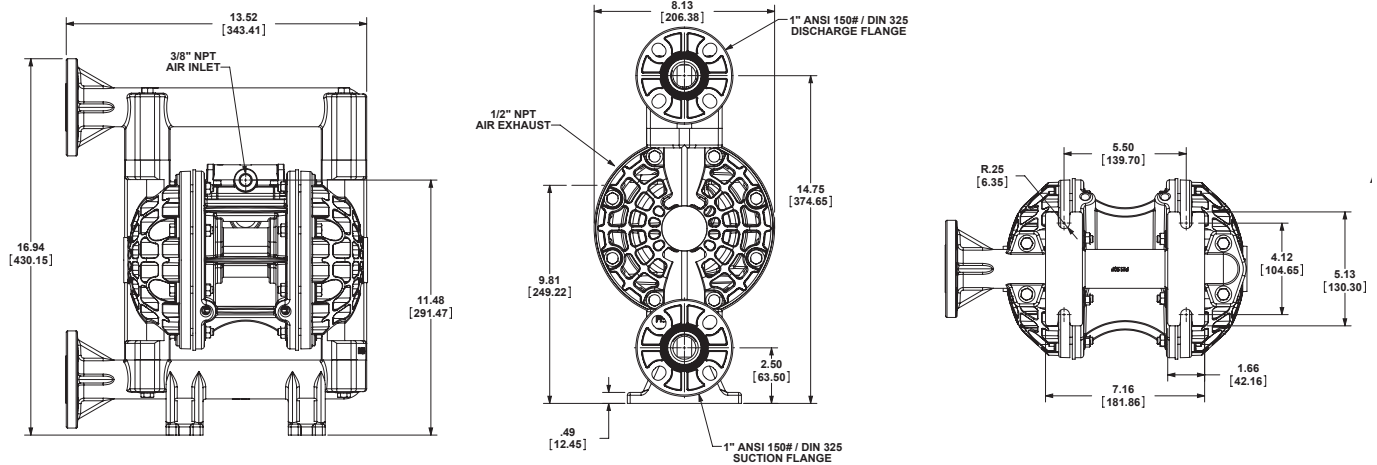
### 1" Bolted Plastic with Plastic Center Section

#### DIMENSIONS

##### E1 Bolted Plastic

Dimensions in inches (mm dimensions in brackets)

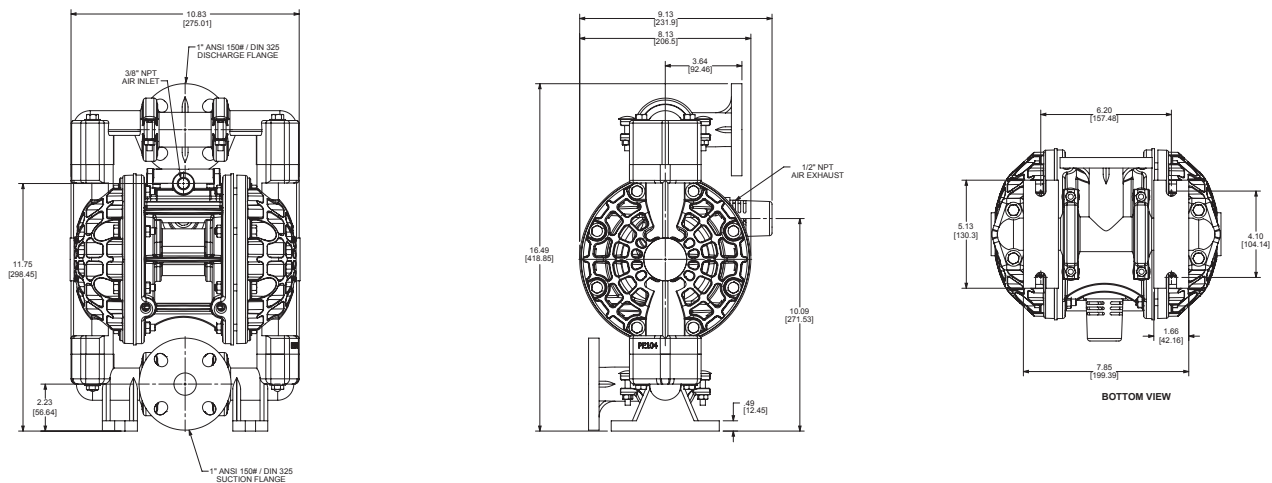
The dimensions on this drawing are for reference only. A certified drawing can be requested if physical dimensions are needed.



##### E1 Bolted Plastic (Center Ported Manifold Option)

Dimensions in inches (mm dimensions in brackets)

The dimensions on this drawing are for reference only. A certified drawing can be requested if physical dimensions are needed.



# VERSAMATIC®

Warren Rupp, Inc. | A Unit of IDEX Corporation  
800 North Main Street | Mansfield, OH 44902 USA  
Phone: 419.526.7296 | Fax: 419.526.7289

[VERSAMATIC.COM](http://VERSAMATIC.COM)

e1nmdlCds-rev0519

©Copyright 2019 Warren Rupp, Inc. All Rights Reserved.